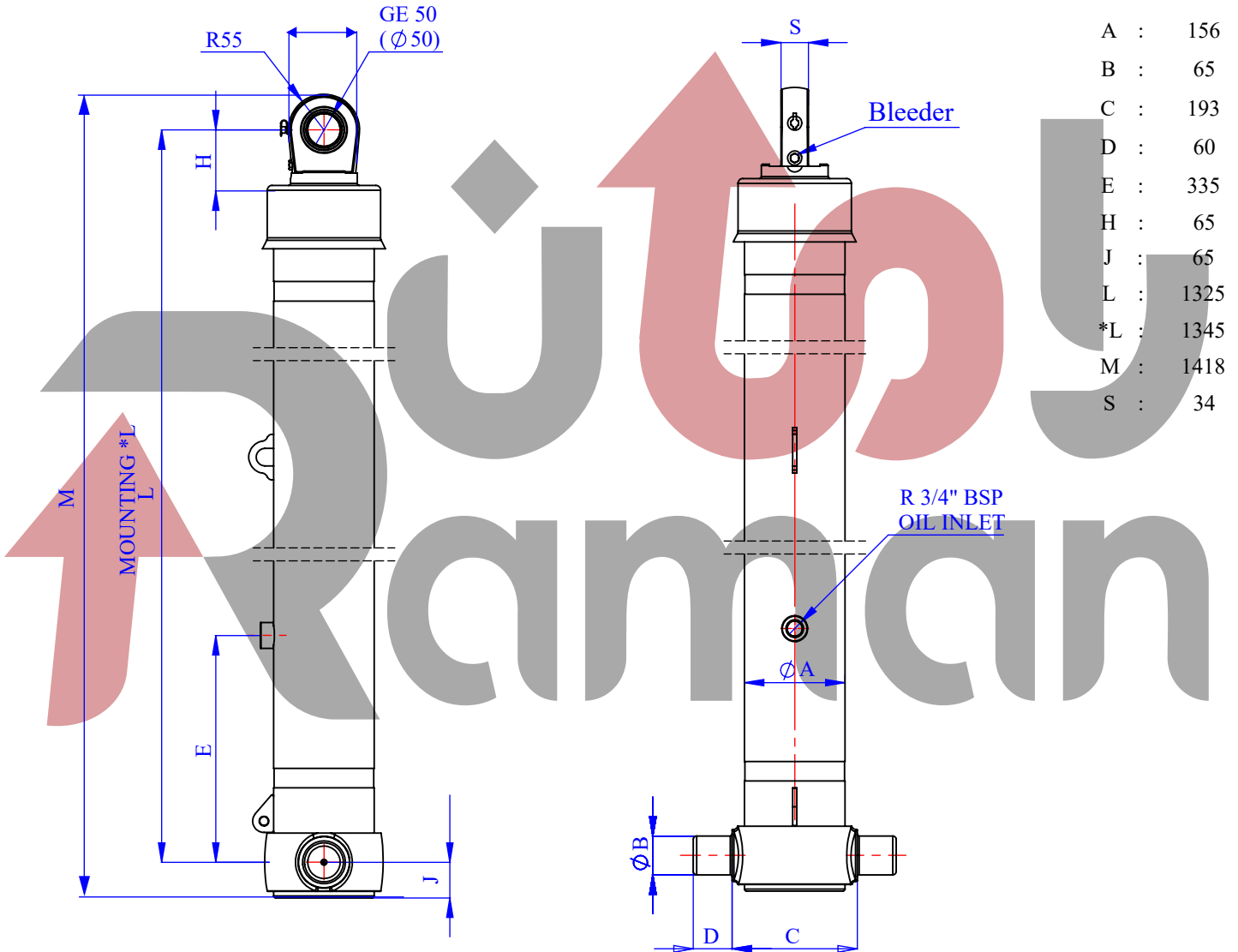


Hidrotip 4-156-1325-C Dump Truck Cylinder

Product Code :

Reference No :



A :	156
B :	65
C :	193
D :	60
E :	335
H :	65
J :	65
L :	1325
*L :	1345
M :	1418
S :	34

EFFECTIVE DIAMETER (mm)						135	115	95	75		TOTAL
STROKE (mm)						1045	1045	1045	1045		4180
THRUST AT 190 BAR (TONS)						27.2	19.7	13.4	8.4		

All sizes were given as mm

SPECIFICATIONS

- Number of Stages : 4 Stages
- Stroke : 4180 mm
- *Inc 30 mm pull out : Tolerance +20 ; 0
- Working Pressure : 190 Bar
- Max. Working Pressure : 200 Bar
- Working Temperature : -23 °C / +80 °C
- Total Volume : 46 L
- Weight Cylinder : 146 Kg
- Tipping Weight : 28.6 Ton
- All Cylinder Materials are St 52 Cold Down Tubes
- Standard Cylinder is Painted with RAL 9005

FORMULATION

- St : (Stroke)
- Bl : (Body Length)
- Ro : (Rear Overhang)
- Pl : (Pivot Length)
- C : (Bracket Length)

$$\alpha^\circ = \frac{St \times 60}{Pl}$$

