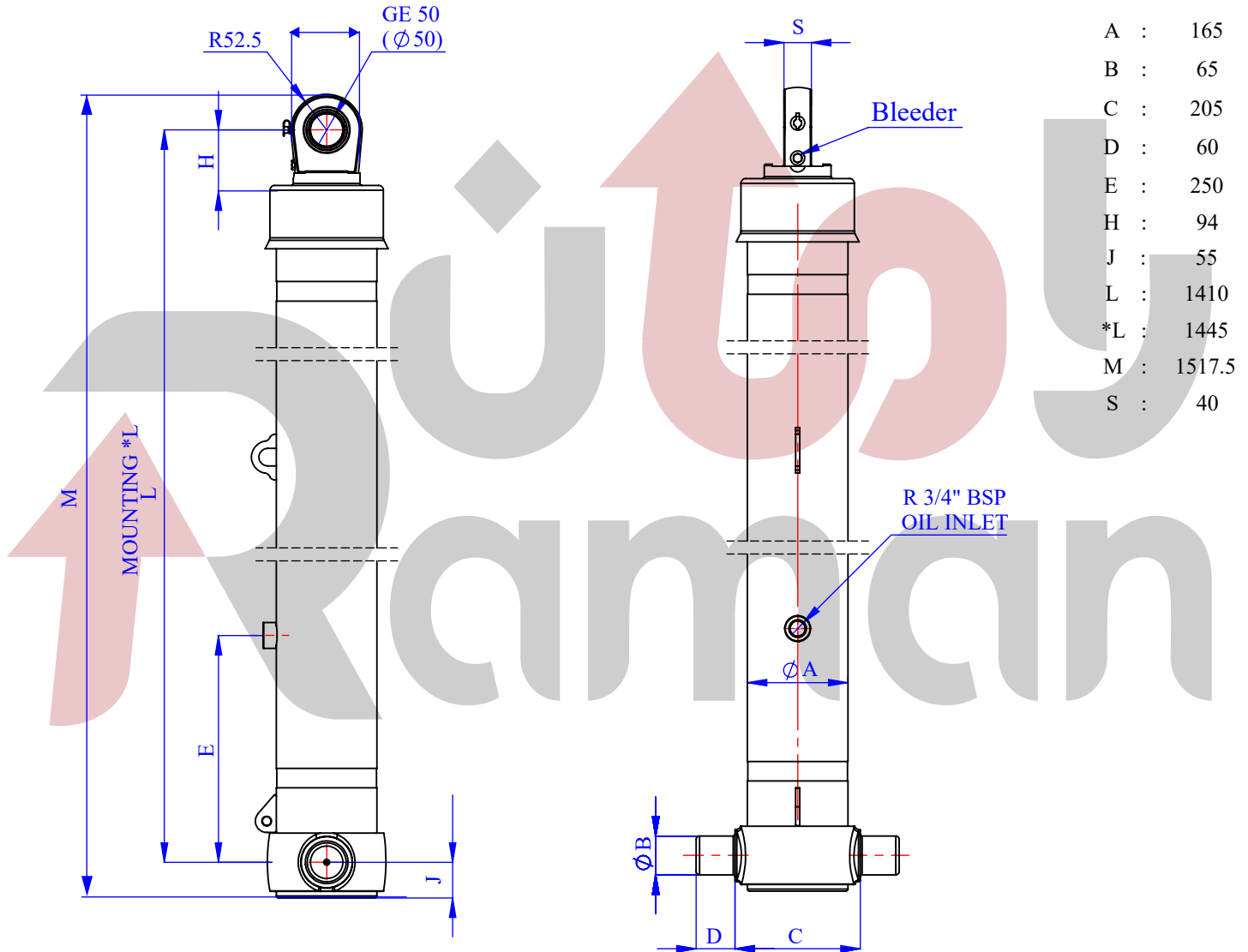


Hidroliftsan 4-165-1410-C Dump Truck Cylinder

Product Code :

Reference No :



EFFECTIVE DIAMETER (mm)						135	115	95	75		TOTAL
STROKE (mm)						1080	1080	1080	1080		4320
THRUST AT 190 BAR (TONS)						27.2	19.7	13.5	8.4		

All sizes were given as mm

**SPECIFICATIONS**

- Number of Stages : 4 Stages
- Stroke : 4320 mm
- \*Inc 35 mm pull out : Tolerance +20 ; 0
- Working Pressure : 190 Bar
- Max. Working Pressure : 210 Bar
- Working Temperature : -30 °C / +120 °C
- Total Volume : 46.5 L
- Weight Cylinder : 180 Kg
- Tipping Weight : 30.1 Ton
- All Cylinder Materials are St 52 Cold Down Tubes
- Standard Cylinder is Painted with RAL 5015

**FORMULATION**

- St : (Stroke)
- Bl : (Body Length)
- Ro : (Rear Overhang)
- Pl : (Pivot Length)
- C : (Bracket Length)

$$\alpha^\circ = \frac{St \times 60}{Pl}$$

