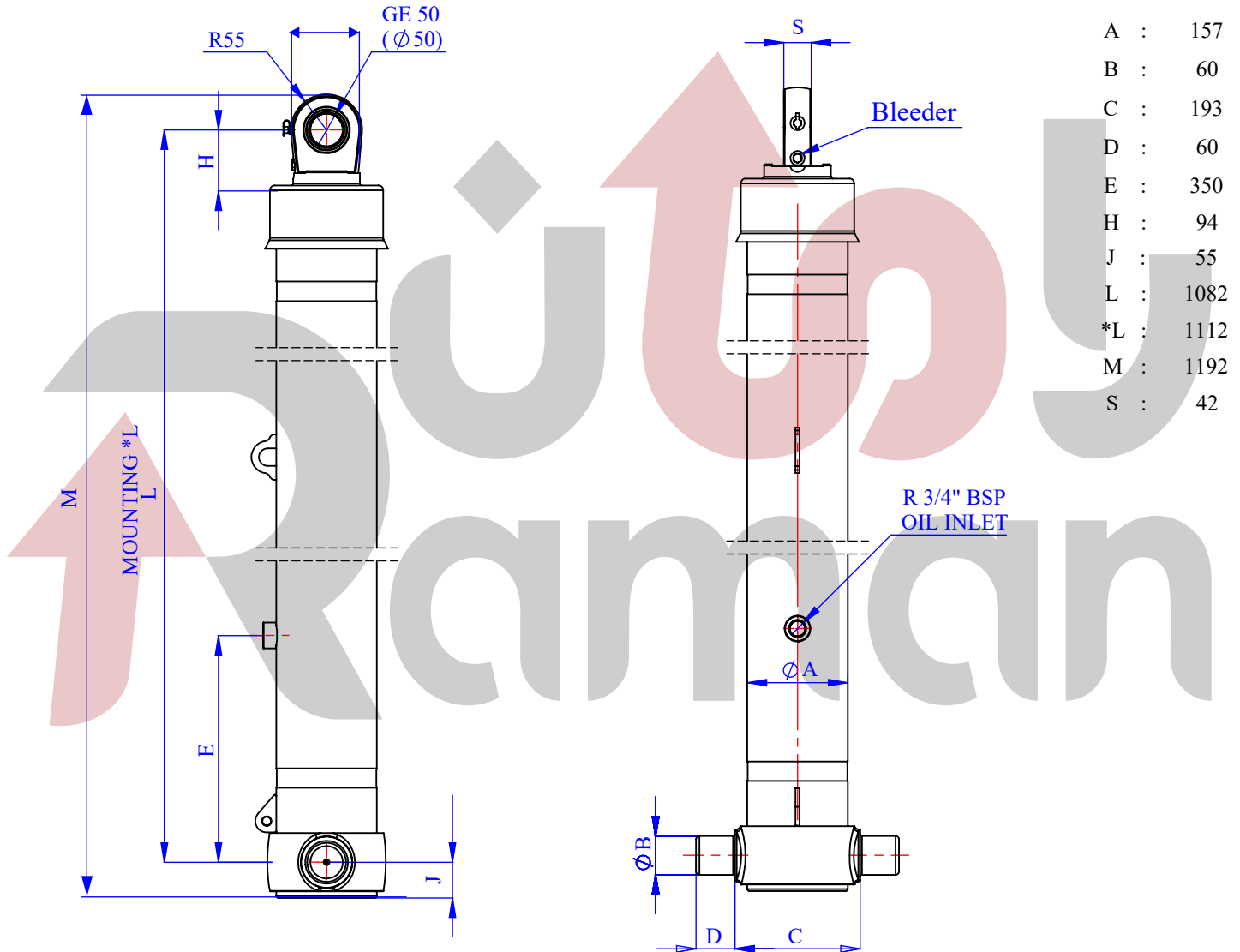


HYD 4-157-1082-C Dump Truck Cylinder

Product Code :

Reference No :



A :	157
B :	60
C :	193
D :	60
E :	350
H :	94
J :	55
L :	1082
*L :	1112
M :	1192
S :	42

EFFECTIVE DIAMETER (mm)						135	116	98	80		TOTAL
STROKE (mm)						820	820	820	820		3280
THRUST AT 190 BAR (TONS)						27.2	20.1	14.3	9.5		

All sizes were given as mm

**SPECIFICATIONS**

- Number of Stages : 4 Stages
- Stroke : 3280 mm
- \*Inc 30 mm pull out : Tolerance +20 ; 0
- Working Pressure : 190 Bar
- Max. Working Pressure : 250 Bar
- Working Temperature : -40 °C / +100 °C
- Total Volume : 36 L
- Weight Cylinder : 114 Kg
- Tipping Weight : 35.7 Ton
- All Cylinder Materials are St 52 Cold Down Tubes
- Standard Cylinder is Painted with RAL 1036

**FORMULATION**

- St : (Stroke)
- Bl : (Body Length)
- Ro : (Rear Overhang)
- Pl : (Pivot Length)
- c : (Bracket Length)

$$\alpha^\circ = \frac{St \times 60}{Pl}$$

